

QSS-3001 DIGITAL

This exciting new compact digital minilab comes equipped with a compact printer-processor and a high speed, detached film scanner, that provides digital processing of image data from multiple sources with surprising ease of operation.

COMPACT



15sq.ft. foot print

The QSS-3001 Digital consists of a compact printer-processor with a detached film scanner, but utilizes a footprint of just fifteen square feet. It is smaller than any previously released QSS digital minilab & the space saving design makes installation easy.

approximately
1,160 prints/hour

*Indicates processing capacity with index prints.

HIGH CAPACITY

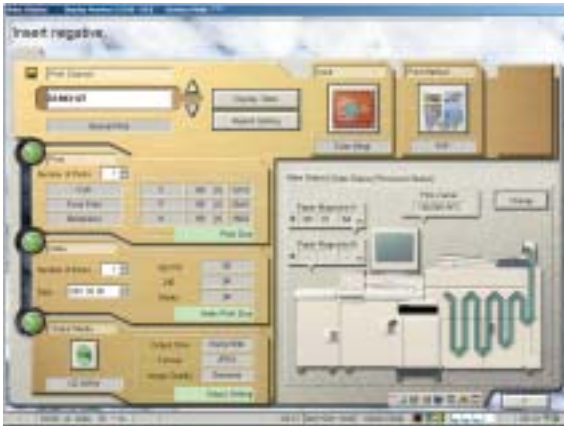
The QSS-3001 Digital outperforms its compact size. No need to sacrifice processing speed for a compact design with fully digital operations. With the ability to process approximately 1,160* prints/hour (3.5"x5"), the QSS-3001 Digital outperforms other similarly sized digital minilabs.

DIGITAL PROCESSING

Because the QSS-3001 Minilab converts all scanned images into digital data, a wide range of correction measures can be applied to significantly improve contrast, sharpness and red-eye, as well as to minimize problems with exposure, backlighting, and flash photography. Negatives with dust and scratches can be automatically detected and corrected when the standard Digital ICE™ feature is employed.

HIGH QUALITY LASER EXPOSURE SYSTEM

The QSS-3001 Digital is equipped with a newly developed laser exposure system that utilizes Noritsu's unique multi-paper matching technology. This enables high quality prints of 320dpi to be printed on both analog and digital paper.



SIMPLE USER INTERFACE

Our easy-to-understand graphic user interface simplifies the printing process so that even operators with limited experience are able to produce a wide range of prints. Icons representing the actual input/output media are displayed on the screen of the QSS-3001 Digital allowing you to check the progress of your orders by simply glancing at the main menu.

EASY MAINTENANCE & BUILT-IN MANUAL

The QSS-3001 Digital reduces the time required for daily setup. Convenient features such as automatic water replenishment and automatic washing of the turn racks, reduce the operators workload. In addition, the QSS-3001 Digital features an electronic operators manual which makes for simple diagnosis when a system error occurs. Simply press the "Help" button and the QSS-3001 Digital responds with easy to understand instructions on how to deal with the specific error.

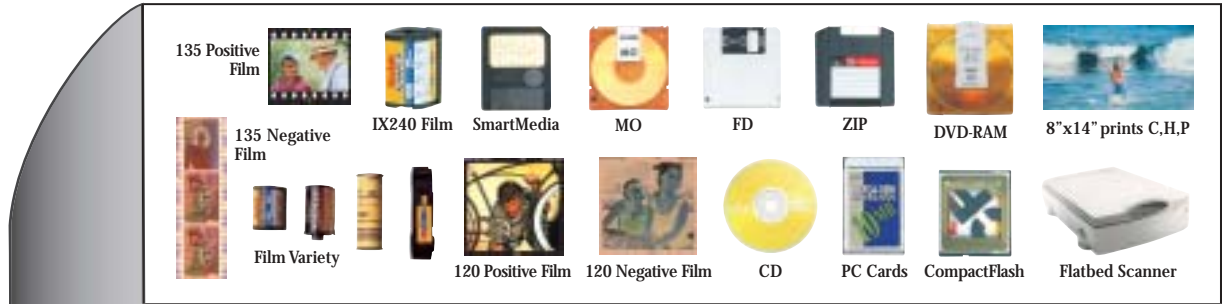


The QSS-3001 Digital includes a colorimeter that is used to minimize the color differences between the images on the monitor and the actual prints. Because the operator can make color corrections while viewing the image on the monitor, the viewed image is extremely close to the actual prints, thus ensuring high quality prints.

COMPACT FULLY DIGITAL MINILAB

MULTIPLE OPTIONS FOR INPUT/OUTPUT

The QSS-3001 Digital supports an impressive array of input/output media and services.



INPUT



QSS-3001

OUTPUT



OPTIONS



CT-1
Consumer Terminal for
Digital QSS Labs



DUAL PAPER MAGAZINE SYSTEM

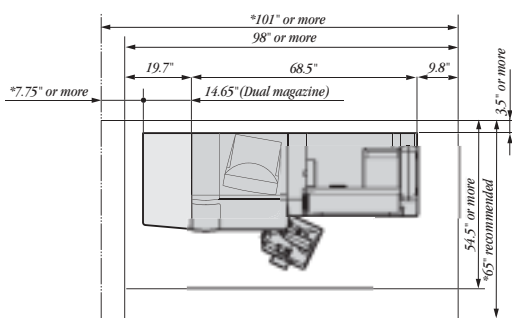
QSS-3001 SPECIFICATIONS

QSS-3001	SPECIFICATIONS
EXPOSURE SYSTEM:	LASER SCANNING EXPOSURE BY PAPER MOVEMENT
LIGHT SOURCE:	HALOGEN LAMP (15V, 150W)
FILM FORMATS:	110, 135F, 135H, 135P, 135HD, IX240 (C.H.P)
COMPATIBLE INPUT MEDIA:	STANDARD: FD, CD-R/W, PC CARD, COMPACT FLASH SMART MEDIA OPTIONAL: MO, ZIP, DVD
COMPATIBLE OUTPUT MEDIA:	STANDARD: FD, CD-R/W, PC CARD, COMPACT FLASH SMART MEDIA OPTIONAL: MO, ZIP, DVD
PRINT RESOLUTION:	320DPI
DIMENSIONS:	L: 68.5"(83" WITH OPTIONAL MAGAZINE) W: 30" H: 53.5"
OPERATIONAL WEIGHT:	1,298 LBS..
TEMPERATURE:	64-86 DEGREES FARENHEIT
RELATIVE HUMIDITY:	30-75%
POWER REQUIREMENTS:	10-2W, AC 200-240V, 50/60HZ, 24-26A
DRY TO DRY TIME:	3 MIN. / 48 SEC..
PROCESSING SPEED:	65/MIN
PAPER SUPPLY:	STANDARD: SINGLE PAPER MAGAZINE OPTION: DUAL PAPER MAGAZINE
PAPER WIDTH:	3.25", 3.5", 4", 4.5", 4.6", 4.75", 5", 5.11", 6", 6.5", 7", 8", 8.25"
PAPER FEED LENGTH:	14" MAX. / 4.6" MIN..
PAPER ROLL LENGTH:	575 FEET
MAXIMUM PRINT SIZE:	8"x 14"
USABLE LENSES:	STANDARD: ZOOM LENS, OPTIONAL: VARI-FOCAL LENS
DISPLAY MONITOR:	17" COLOR (VIEWING ANGLE IS ADJUSTABLE)

ESTIMATED PROCESSING CAPACITY		
	PRINT SIZE WIDTH X PAPER ADVANCE LENGTH	PROCESSING CAPACITY PRINTS/HR
135 NEGATIVE FILM (24 EXP.)	3.5" x 5"	APPROX. 1,160
	4" x 6"	APPROX. 1,000
	8" x 10"	APPROX. 361
	8" x 14"	APPROX. 264
IX240 NEGATIVE FILM (25 EXP.)	3.5" PAPER WIDTH (C.H.P. INTERMIXED)	982
DIGITAL CAMERA (2.5 MILLION PIXELS)	3.5" x 5"	555

CALCULATED ACCORDING TO OUR CRITERIA. THE ACTUAL CAPACITY YOU ACHIEVE MAY BE DIFFERENT.

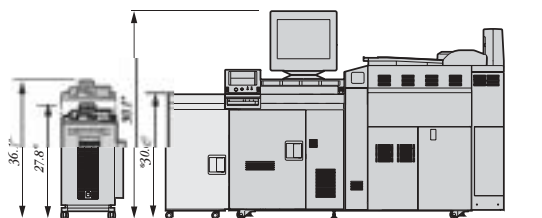
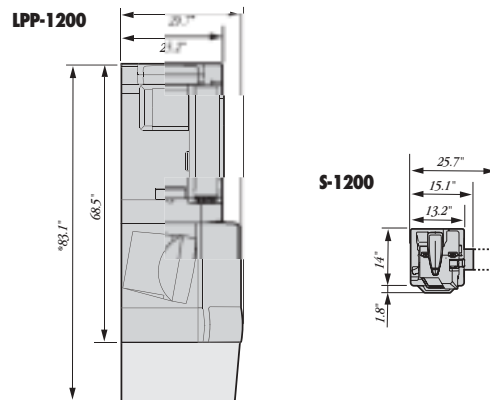
Space Required for installation (unit:inches)



* VALUES ARE USED WHEN PAPER SUPPLY UNIT HAS BEEN INSTALLED

QSS-3001 DIAGRAMS

External view (unit:inches)



Specifications subject to change without notice. Printer-Paper Processor capacities are based on continuous printing of a negative under normal exposure. The capacity of the machine varies with the process chemicals used, the condition of the negatives, etc. QSS is a registered trademark of Noritsu America Corporation. QSS, INDEXPRINT are registered trademarks of Noritsu. Digital ICE™ is a registered trademark of Applied Science Fiction.

• Noritsu America Corporation: 6900 Noritsu Avenue, Buena Park, California 90620-1372 (714) 521-9040 • Western Regional Office: 6950 Noritsu Avenue, Buena Park, California 90620-1311 (714) 521-9040 • Eastern Regional Office: 336 Route 46 East, Fairfield, New Jersey 07004-2429 (973) 808-9898 • Midwest Regional Office: 755 Tollgate Road, Elgin, Illinois 60123-9301 (847) 888-8000 • Southern Regional Office: 2989 North Stemmons Freeway, Dallas, Texas 75247-6193 (214) 631-2400 • Government Sales Office: 8000 Towers Crescent Drive, Suite 1350, Tysons Corner, Virginia 22182-2700 (703) 821-0007 • Subsidiary: Noritsu Canada Ltd.: 2680 Argenta Road, Mississauga, Ontario, Canada, L5N 5V4 (905) 567-8982 • Subsidiary: Noritsu de México S.A. de C.V.: Plaza Mayorazgo de Luyando No. 7, Col. Xoco, Delegación Benito Juárez, C.P. 03330 México, D.F. (52) 5-601-0429 • Web Site: www.noritsu.com



www.noritsu.com

NORITSU